

“ If everyone is thinking alike, then somebody isn't thinking.

-General George S. Patton
☆☆☆☆



LIONHEART INDUSTRIES

PRODUCT MANUAL **LH9 SERIES** Exceptional comes standard

⚠️ Read before handling firearm.

Thank you for purchasing a Lionheart Industries firearm.

We are excited to introduce you to a new breed of firearms company, complete with a fresh line of products and unparalleled attention to detail.

We know that you will be pleased with our uncompromising dedication and commitment to customer care.

We'd love to hear from you. Please don't hesitate to contact us.

THE LIONHEART TEAM
WE CARE@LIONHEARTINDUSTRIES.COM



⚠️ Carefully read all of the instructions and warnings in this manual before handling or using this firearm.

⚠️ This manual should always accompany this firearm and be transferred with it upon change of ownership or when this firearm is handled or used by another person.

⚠️ WARNING!

A firearm is a dangerous weapon and is capable of taking your life and the lives of others! Firearms accidents can occur at any time and are almost always the result of carelessness or the ignorance of basic safety rules. Strict adherence to safety rules is the responsibility of every gun owner. Never forget that all firearms are dangerous weapons capable of causing death, serious personal injury, and property damage. Always use extreme caution with your firearm.

⚠️ WARNING!

Safely storing and securing firearms away from children will help prevent the unlawful possession of firearms by juveniles, stop accidents, and save lives.

This pistol is sold with the understanding that the purchaser assumes all liability resulting from unsafe handling or any action that constitutes a violation of any applicable laws or regulations. Lionheart Industries and its employees shall not be liable for personal injury or loss of property or life resulting from the use of this pistol under any circumstances including intentional, reckless, negligent or accidental discharge. Lionheart Industries will not be liable for any alterations to the pistol or any parts thereof.

⚠️ SAFETY RULES

1 Always Be a Safe & Responsible Firearms Owner!
Commit these important safety rules to memory. Observe them always.

⚠️ WARNING! Do not handle a firearm until you have thoroughly read and understood these firearms safety rules.

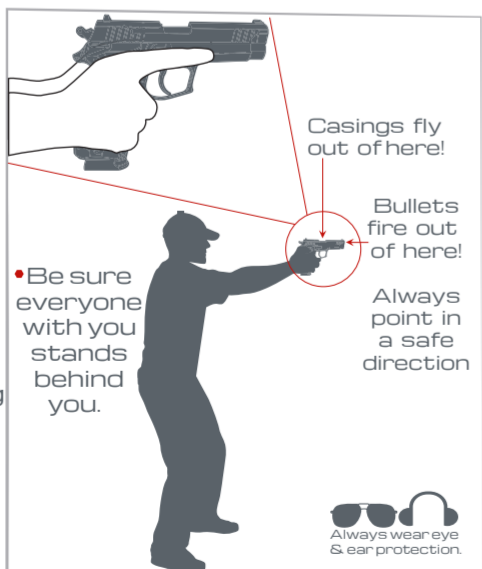
- Always keep the muzzle pointed in a safe direction.
- Always treat all firearms as if they are loaded.
- Always wear eye & ear protection. Require their use by everyone with you.
- Keep all body parts away from the muzzle to avoid serious injury and burns.
- Keep fingers off trigger & trigger guard until ready to shoot.
- Never drink alcohol, use drugs, or take medication that can impair your judgment.
- Never let debris or water into the barrel, as bore obstructions can cause damage, injury, or death.
- Do not rely on a mechanical safety device as a substitute for safe firearm handling.
- Do not modify the trigger or safeties.

BEFORE FIRING:

- Understand exactly how your firearm functions and shoots before handling. If a firearm is unfamiliar to you, attend a certified training course, as misunderstanding can result in serious accidents and/or death.
- Be sure the chamber is clear of any ammunition or casings and that the barrel of the unloaded firearm is free from any possible obstructions by physically and visually inspecting the firearm.
- Be sure of your target and the back stop before shooting. Bullets can penetrate most objects, including walls and car doors and can travel over a mile.
- Before handling firearms, cleaning firearms, or handling ammunition, be sure that the area is well ventilated.

WHILE FIRING:

- Never keep your finger on the trigger or on the trigger guard unless you are ready and intending to fire.
- Keep hands and fingers from touching or interfering with the slide, as the backward recoil of the slide may cause serious injury.
- Never fire at hard, flat surfaces or at water as bullets can ricochet.
- Engage the safety, physically and visually inspect the magazine and chamber, and clear any ammunition or casings before giving a firearm to/taking a firearm from anyone.
- Stop shooting immediately if a shot sounds unusual or if there is a difference in the recoil. Examine the gun for bore obstructions or other defects before resuming fire.



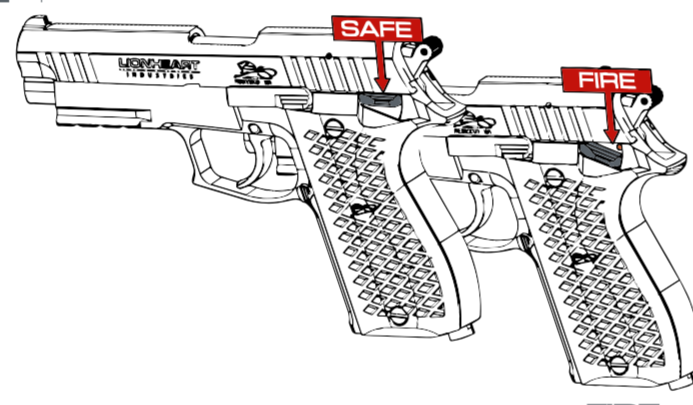
AFTER HANDLING:

- Never leave a firearm unattended or out of proper storage.
- Be sure the gun is unloaded before cleaning, lubricating, or field stripping.
- Wash hands thoroughly after handling any firearm or ammunition.

STORAGE: 1. Always store your firearm safely - unloaded, uncocked, clean, and lubricated.
2. Always store your firearm in a clean, dry environment and out of extreme temperatures.
3. Always store the firearm and ammunition separately under lock and key, away from all children and unauthorized users.

INSTRUCTIONS FOR USE

2 ENGAGING THE SAFETY



- SAFE**
♦ To engage the safety, push up on the safety lever until it clicks into place. The lever is located on both sides to accommodate both left- and right-handed shooters.
- FIRE**
♦ To disengage the safety, point the firearm in a safe direction and keep your finger off the trigger. Push down on the safety lever until it clicks into place and the red dot indicator is visible.

⚠️ WARNING! The firearm is now ready to fire! Use extreme caution.

⚠️ WARNING! Mechanical safety devices never substitute for safe firearm handling. Always follow safety rules.

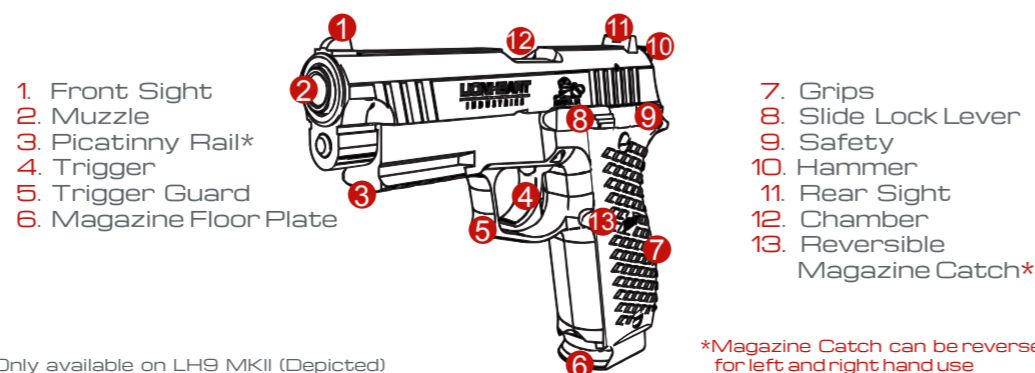
5 SHOOTING



⚠️ WARNING! Do not handle or fire until you fully understand how a firearm functions and have accepted the responsibilities and all possible repercussions.

1. Fully understand the safety rules outlined in Section 1 and carefully follow all of the instructions in Sections 2 - 4.
2. Aim the firearm downrange at your target.
3. Place your finger on the trigger and slowly squeeze to fire. Be sure to grip the firearm firmly. The shell from the cartridge will be hot and ejected up and to the right.
4. The firearm will self-load rounds into the chamber until all of the rounds in the magazine have fired. When the last round fires, the slide will lock open.

KNOW YOUR GUN



- 1. Front Sight
- 2. Muzzle
- 3. Picatinny Rail*
- 4. Trigger
- 5. Trigger Guard
- 6. Magazine Floor Plate
- 7. Grips
- 8. Slide Lock Lever
- 9. Safety
- 10. Hammer
- 11. Rear Sight
- 12. Chamber
- 13. Reversible Magazine Catch*

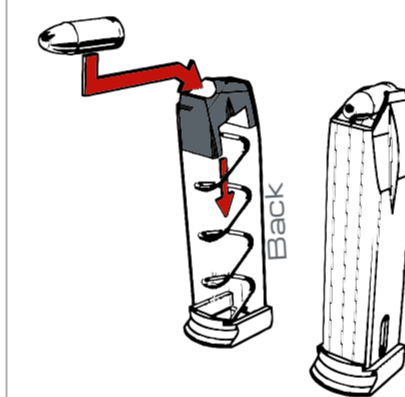
*Only available on LH9 MKII (Depicted)

*Magazine Catch can be reversed for left and right hand use

3 LOADING THE MAGAZINE:

Be sure that the ammunition you are using is factory loaded, damage free, and is of the proper designated caliber.

⚠️ WARNING! Never use reloaded ammunition, +P or +P+ ammunition, as it can result in serious injury, death, or damage to the pistol and may void any warranty.



1. Remove the magazine by depressing the magazine catch button located on the side of the firearm.
2. Hold the magazine with the back resting against your palm.
3. With your other hand, hold the cartridge between your index finger and thumb with the tip of the ammunition facing your palm.
4. Press down and slide the cartridge all the way to the rear of the magazine.
5. Repeat steps 1-4 until the desired number of rounds are loaded.

⚠️ WARNING! Do not attempt to load more than the prescribed number of cartridges into the magazine. Do not alter the shape of the magazine housing, follower, or spring. Doing so may cause performance issues and/or damage to the firearm.

EMPTYING THE MAGAZINE:

♦ Push each cartridge forward and out of the magazine one at a time by carefully and firmly pressing on the cartridge base.

6 Double Action+™
Understanding And Shooting In Double Action+™: Safety, Speed & Accuracy Built In.

What is Double Action+™?
Double Action+™ is a combat-proven trigger action that is made possible by our unique two-piece hammer design. A short trigger pull and trigger reset have been carefully engineered into your firearm. This formidable combination offers exceptional safety, speed, and accuracy.



1. Aim your firearm downrange at your target and pull the hammer all the way back. The trigger will automatically move back.
2. Push the hammer up. The trigger will automatically move forward. The firearm is now in Double Action+™ mode.
3. Pull the trigger until you feel a soft click.

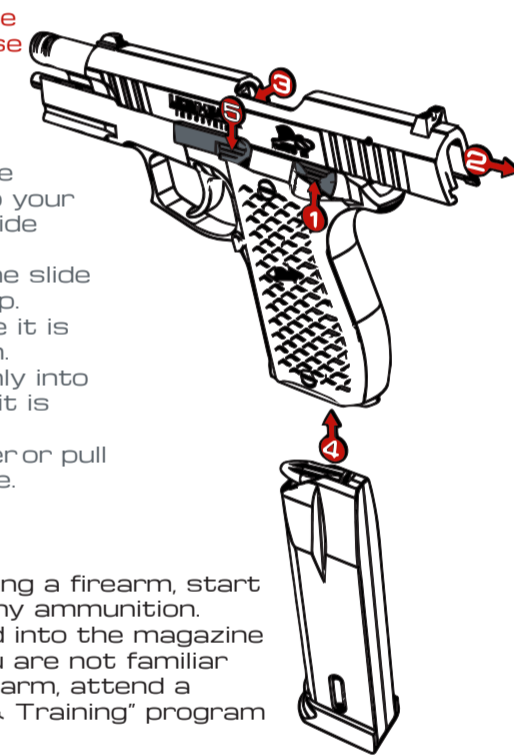
At this point you can:
a) Release the trigger and the hammer will remain cocked or;
b) Continue to squeeze the trigger and it will fire with a light pull.

For short throw trigger reset, do not release the trigger fully-only until you feel the reset-then pull again.

Find out about Double Action+™ Now:
Or visit www.LionheartIndustries.com

4 LOADING THE FIREARM

⚠️ WARNING! Failure to follow these instructions can cause you to unintentionally fire, causing serious injury or death.



1. Engage the safety and point the firearm in a safe direction. Keep your fingers off the trigger and outside the trigger guard.
2. Lock the slide open by pulling the slide back and engaging the slide stop.
3. Check the chamber and be sure it is free of any possible obstruction.
4. Insert the loaded magazine firmly into the magazine well. Ensure that it is locked in place.
5. Push down on the slide lock lever or pull the slide to the rear and release.

⚠️ CAUTION! If it's your first time firing a firearm, start by practicing without any ammunition. When ready to fire, load only one round into the magazine to fire your first live ammunition. If you are not familiar with firearms or if this is your first firearm, attend a "National Rifle Association Education & Training" program prior to handling and firing.

7 UNLOADING THE FIREARM



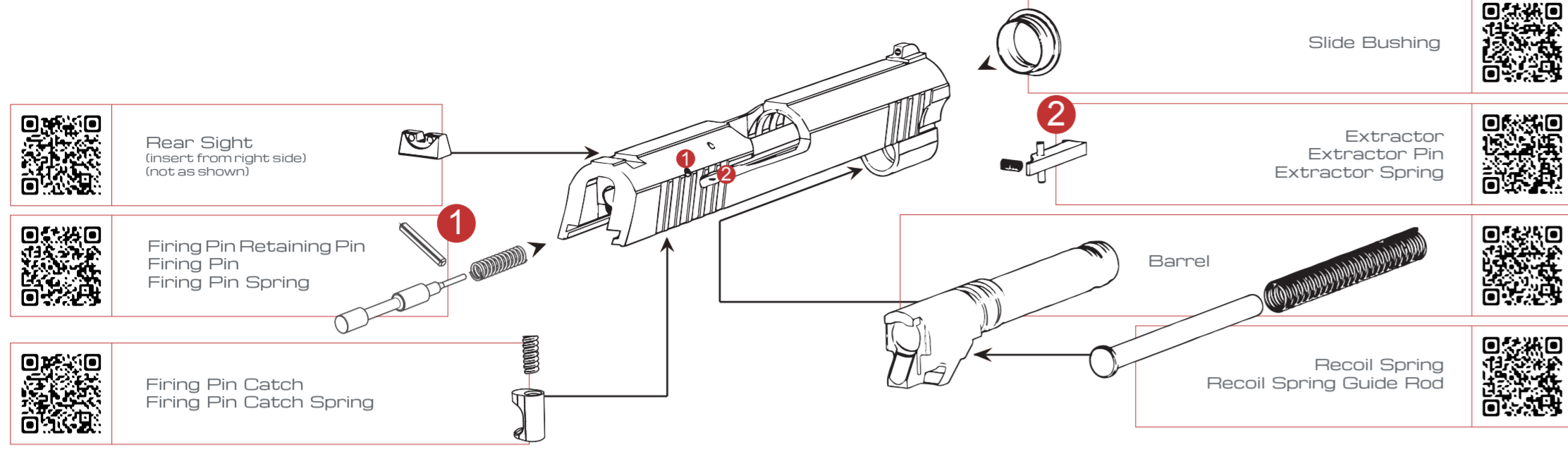
1. Point the firearm in a safe direction, engage safety, and keep finger off the trigger and trigger guard.
2. Remove the magazine by pressing the magazine catch button.
3. Pull the slide to the rear to clear any chambered ammunition.
4. Lock the slide to the rear.
5. Carefully inspect the chamber for casings or ammunition.

⚠️ WARNING! A bullet or shell casing lodged in the bore or chamber may cause damage to the firearm and could also cause serious injury or death.

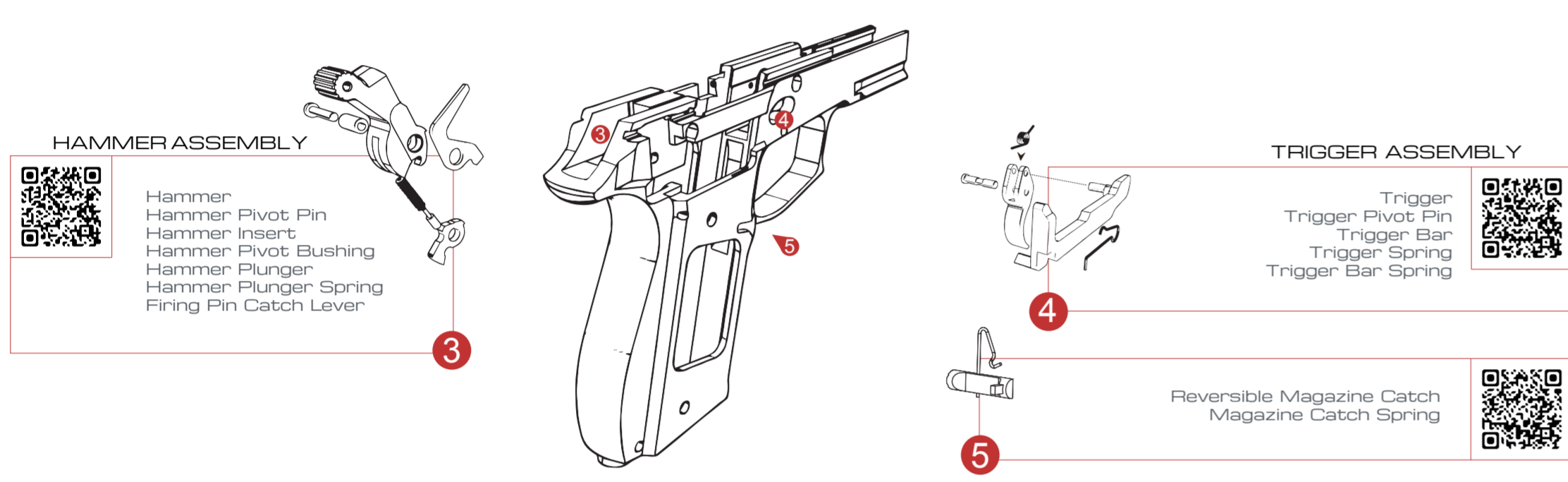
A firearm is not considered safe unless:
1. The safety is on;
2. The magazine is removed from the pistol;
3. The slide is locked to the rear and;
4. The chamber is free of casings and ammunition.

EXPLODED VIEW

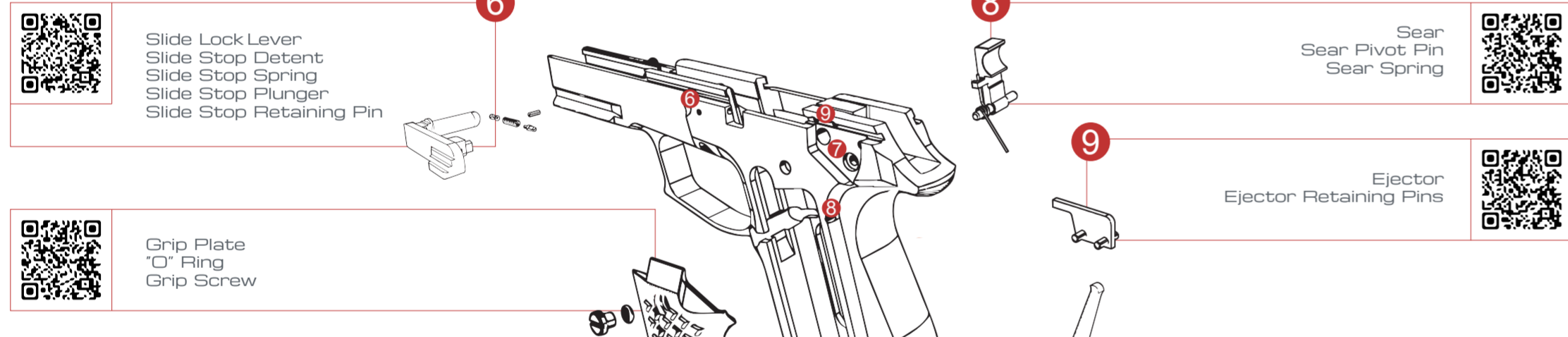
SLIDE ASSEMBLY



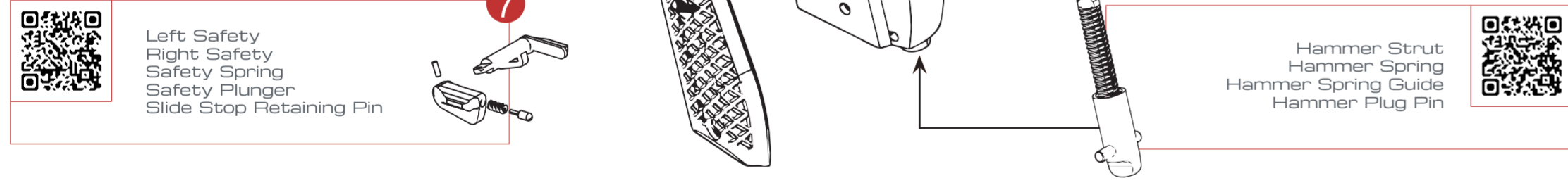
FRAME - RIGHT SIDE



SLIDE STOP ASSEMBLY



SAFETY ASSEMBLY



MAGAZINE ASSEMBLY



MAINTENANCE

THE STEPS: 1 Prep 2 Engage Safety 3 Field Strip 4 Clean 5 Lubricate 6 Reassemble

1 PREP:

Be sure your work area is well ventilated. Cover all surfaces you would like to protect. Wear protective goggles, gloves, and dust mask.

2 ENGAGE SAFETY:

⚠️WARNING: Always adhere to all of the safety rules listed in the Safety Rules Section of this manual.

Do not attempt to field strip or clean until:

1. The safety is engaged and;
2. The firearm is unloaded and;
3. The slide has been locked to the rear and;
4. The chamber is free of casings and ammunition and;
5. The magazine has been removed from the well and emptied and;
6. All ammunition has been removed from your area.

NOTE: Instructions on the steps above are on the other side of this manual.

3 DISASSEMBLY (aka Field Stripping):

⚠️WARNING: Always keep the firearm and the recoil spring pointed in a safe direction and away from the face and eyes. The recoil spring is under considerable tension and personal injury or property damage can occur if the spring slips.

1. Be sure you have fully complied with the instructions set in Sections 1-2 above.
2. Holding the firearm firmly, retract the slide until the clearance cut in the slide is aligned with the top of the pin on the slide lock lever.
3. Press out and remove the slide lock lever pin. It may be helpful to use a rod to press the pin out from the right side of the firearm.
4. With the pin removed, the slide will slip forward and off of the firearm. Use care and slip the slide off slowly.
5. The recoil spring and guide rod are held in place by a small notch in the bottom of the barrel. To remove the recoil spring and guide, carefully compress the spring and slowly pull out. With the recoil spring removed, the barrel will easily lift out.

⚠️CAUTION: No further disassembly is needed for normal cleaning. Do not disassemble the weapon beyond field stripping. Maintenance and detailed stripping should only be performed by trained gunsmiths or a certified Lionheart armorer.

4 CLEANING:

⚠️WARNING: Keep your firearm clean and in serviceable condition at all times. Clean after every use and after prolonged periods of inactivity.

You'll Need:

- ✓ Cleaning Patches
- ✓ Cleaning Solvent
- ✓ Lubricant
- ✓ Lint-free Cloths

Cleaning Tools

Included with your firearm you will find a military grade cleaning kit:

- Cleaning Brush
- Cleaning Rod (with slot for inserting cleaning patches)
- Bore Brush (screws onto end of cleaning rod)

Cleaning Instructions

Slide: Dip the cleaning brush in solvent and gently brush the internal surface. Remove fouling on the rest of the slide with solvent and cloth.

Recoil Spring/Frame/Magazine: Remove fouling with a cloth, cleaning brush, and solvent as needed.

Barrel: Screw the bore brush onto the cleaning rod. Dip into solvent and pass it through the bore from chamber to muzzle. Remove the bore brush. Insert a cleaning patch into the slot on the cleaning rod. Pass it through the bore from chamber to muzzle. Clean the exterior with the cleaning brush, cleaning patches, and solvent.

5 LUBRICATING:

Use 1-2 Drops. Be careful not to over-lubricate.

- Recoil Spring Guide
- Barrel
- Slide Rails
- Muzzle
- Barrel Locking Lugs
- Moving Parts of the Frame
- Extractor/Pivot

6 REASSEMBLY:

⚠️WARNING: When reassembling the pistol, be sure that the firing pin lever is pushed down. It should never extend above the surface of the frame, as failure to do so may result in damage to the firearm.

1. Replace the barrel back into the slide by inserting it muzzle end first and slipping it into place until you see that the top of the barrel is in line with the top of the slide.
2. Insert the guide rod into the recoil spring and hold both with a firm grasp. Carefully place both into the muzzle end and compress until the end of the guide rod is held in by the small notch in the bottom of the barrel.

⚠️WARNING: There is considerable spring tension in the recoil spring. Always point it in a safe direction.

3. Slip the slide onto the frame. Pull slide back 1/8" and insert the slide lock lever halfway. Then pull back the slide more to align the clearance cut mark in the slide with the top of the pin on the slide lock lever. If there is any interference, remove the slide assembly and check that the barrel and recoil spring are properly placed.
4. Fully insert the slide lock lever and ensure that it is firmly in place. Manually cycle the slide a few times to be sure it moves freely. This completes the reassembly process.

TECHNICAL SPECS

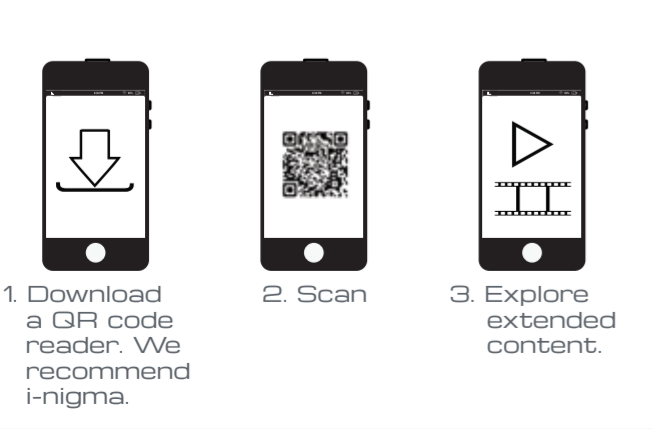
| Model | LH9 | LH9C | LH9 MKII |
|-------------------|--|---------|------------|
| Caliber | 9mm | 9mm | 9mm |
| Length | 7.5" | 7.0" | 7.5" |
| Barrel Length | 4.1" | 3.6" | 4.1" |
| Weight | 28.0 oz | 25.7 oz | 28.0 oz |
| Magazine Capacity | 10, 13, 15 | 10, 15 | 10, 13, 15 |
| Features | Double Action Plus™ Short Trigger Reset Low Recoil Semi-Automatic Sights: Novak® 380 LoMount Dovetail Safety: Ambidextrous manual safety Passive firing pin block Rifling: Six grooves 1:13" Grips: One-piece black polymer Finish: Cerakote® | | |
| Material | Frame Material: Forged 7075-T6 Aluminum Slide Material: Forged 4140 Alloy Steel | | |

TROUBLE SHOOTING

Always point the firearm in a safe direction.

| Trouble | Cause & Solution |
|------------------|---|
| Failure to Fire | Unload and disassemble the pistol according to the instructions in this manual. Check for: <ol style="list-style-type: none"> 1. Obstructions in the chamber bore and frame. Remove obstructions. 2. Bad ammunition. Use only new ammunition of the correct caliber from a reliable source. 3. Unserviceable magazine. Replace magazine. 4. Fouling or lack of lubrication. Clean and lubricate in accordance with the instructions found in this manual. 5. Evidence of worn or broken parts. Replace parts or see a trained gunsmith for repair. |
| Failure to Feed | Bad ammunition (i.e., old corroded ammunition or hand-loaded ammunition) and unserviceable magazines cause the most common feeding failures. Always use proper, factory-loaded ammunition. Regularly clean the magazine and avoid dropping it on hard surfaces. If necessary, replace the magazine and purchase new ammunition. |
| Failure to Eject | Can be caused by: <ol style="list-style-type: none"> 1. Ammunition irregularities or hand-loaded ammunition. Replace and only use factory-loaded ammunition of the proper caliber. 2. A loose grip. This malfunction occurs when there is no firm shooting grip that provides the proper resistance for the pistol to recoil. Study correct pistol grip. Attend local classes if needed. |

HOW TO USE A QR CODE:



To order parts and for more detailed information, please visit www.lionheartindustries.com